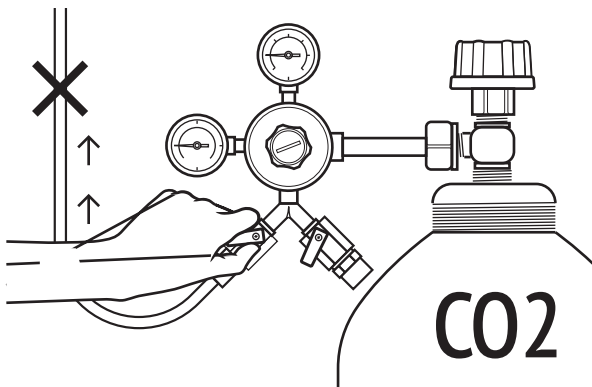


# Attention – an empty keg is still under pressure!

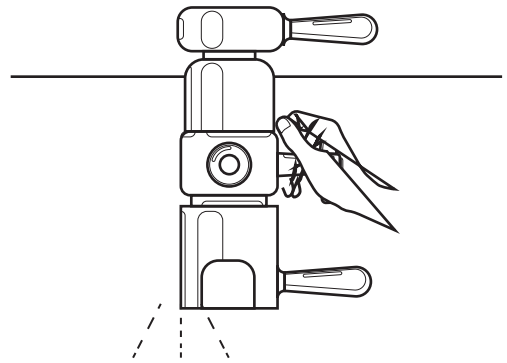


Relieve the pressure before removing the filling cap.

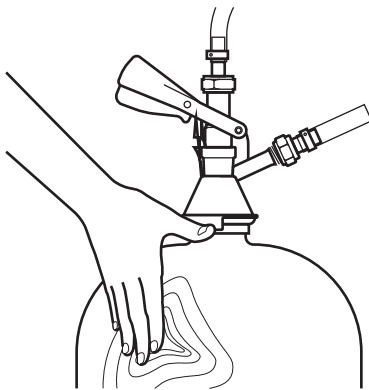
**1** Lock C02 feeding



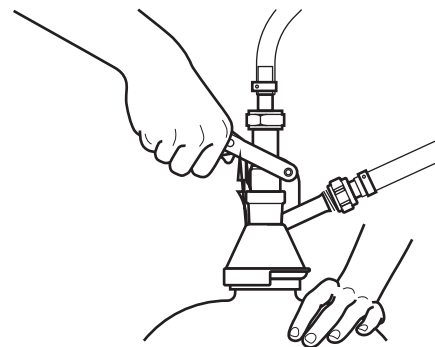
**2** Turn on the filling tap and release the pressure



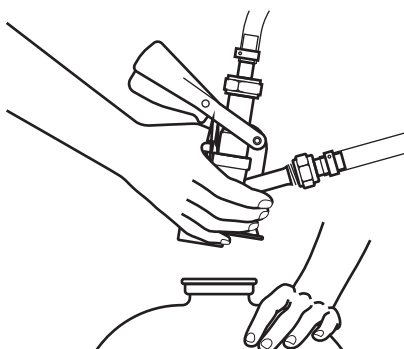
**3** Press the keg to make sure that it is soft



**4** Press the filling cap lock, lift the handle up to the end



**5** Remove the filling cap from keg's spear



**6** Turn off the filling tap

